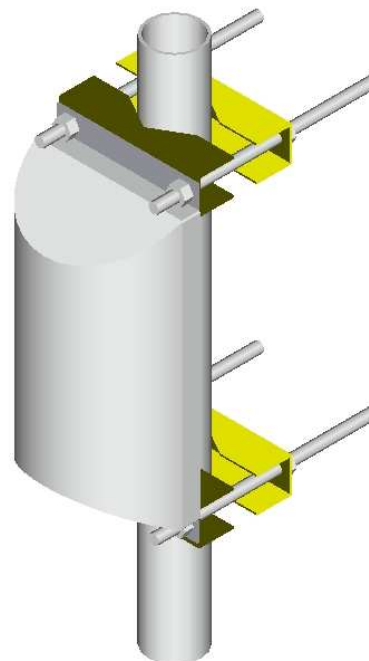


## DIRECTIONAL ANTENNA AV2091



The antenna in the picture is attached to a  $\varnothing 60$  mm pipe with a mounting kit included in package. Antenna can also be mounted directly to wall.

Type	AV2091
Frequency	870...960 MHz
Bandwidth	90 MHz
Impedance	50 $\Omega$ DC grounded
VSWR	1,3 max
Polarisation	Vertical
Gain	9 dBi
E-plane 3 dB beamwidth	56°
H-plane 3 dB beamwidth	115°
Electrical downtilt	None
Front to back ratio	20 dB
Max. Continuous power	0,5 kW
RF-connector	N or 7/16 female
Operational windspeed	40 m/s (default)
Survival windspeed	55 m/s (default)
Wind area	0,05 m <sup>2</sup>
Dimensions (H x W x D) ( $\varnothing$ x H)	380 x 160 x 100 mm
Weight	0,7 kg
Mounting diameter	$\varnothing$ 30...115 mm pipe
Materials	Aluminium Glassfiber radome Glass reinforced PE
Options	Colour Different connector options